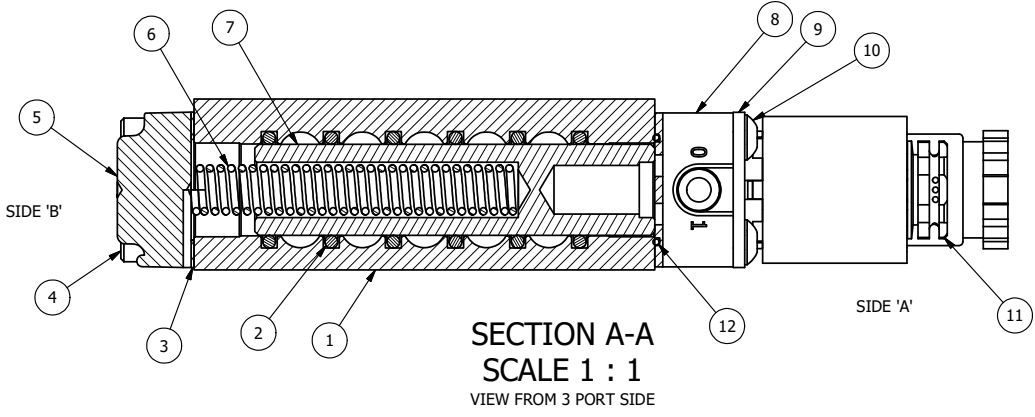


NOTES:  
 1) ALWAYS GIVE VALVE MODEL AND PART NUMBER WHEN ORDERING PARTS.



| FLG | QTY | PART NO  | DESCRIPTION   |
|-----|-----|----------|---|
| 12  | 1   | EMG3     | GASKET - END MOUNT SOLENOID, BUNA-N, 1/4" & 3/8" VALVES           |
| 11  | 1   | V-562    | NUT, SOLENOID, SIDE EXHAUST                                       |
| 10  | 4   | V-584-SS | SCREW, 10-24 X 1, BUTTON HEAD SOCKET CAP, 18-8 OR 303 SS          |
| 9   | 1   | SEC3-7   | PLATE, RE-INFORCEMENT, SOLENOID, STAMPED, 304 STAINLESS           |
| 8   | 1   | V-564    | SYSTEM 8 INTRINSICALLY SAFE SOLENOID OPERATOR.                    |
| 7   | 1   | S3       | SPOOL - STANDARD, 2 POS, CLSD CTR, 1/4" & 3/8" VALVE              |
| 6   | 1   | CS3      | SPRING - RETURN, (EXCEPT HO, KO & PO) 1/4" & 3/8" VALVES          |
| 5   | 1   | SEC3-3   | END CAP, VENTED, STAINLESS STEEL, 1/4" & 3/8" VALVES              |
| 4   | 4   | V-38-SS  | SCREW, 10-24 X 3/4, SOCKET HEAD CAP, 18-8 SS                      |
| 3   | 1   | ECG3     | GASKET - END CAP, 1/4" & 3/8" VALVE                               |
| 2   | 6   | V-39     | O-RING, VITON, STD BODY, 1/4" & 3/8" VALVES                       |
| 1   | 1   | ZB3-1    | BODY - BRASS, UPPER PILOTS (BUTTON BLEEDER), 3/8" SIDE PORT VALVE |

|  |                |  |                             |  |
|--|----------------|--|-----------------------------|--|
| LIMITS ON DIMENSIONS UNLESS OTHERWISE SPECIFIED  |                | 2-PL DECIMAL ± .01<br>3-PL DECIMAL ± .005<br>FRACTIONAL ± 1/64<br>ANGULAR ± 1/2° |                             | <b>AAA PRODUCTS INTERNATIONAL</b><br>7114 Harry Hines Blvd<br>Dallas, TX 75235 |
| DRAWN: RMckenna  | DATE: 3/4/2020 | CHECKED: KWaite  | DATE: 3/4/2020              |  |
| SCALE: 1:1   | SHEET: 1 OF 1  | RELEASED: HWomack  | DATE: 3/4/2020              |  |
| TITLE:<br>3/8" SIDE PORT, SNGL SOL, 2 POS, SPR RTRN, INTR SAFE, 24VDC, BR/SS, SIDE VENT, EXT PILOT |                |  | PART NO.:<br>ZESO3ACZ 24VDC | REV.:  |

THE INFORMATION CONTAINED WITHIN THIS DOCUMENT IS PROPRIETARY TO AAA PRODUCTS AND MAY NOT BE DISCLOSED WITHOUT PRIOR WRITTEN CONSENT

P:\Engineering\Product Valve Assembly\Standard ISO DWG\ZESO3ACZ 24VDC.dwg